

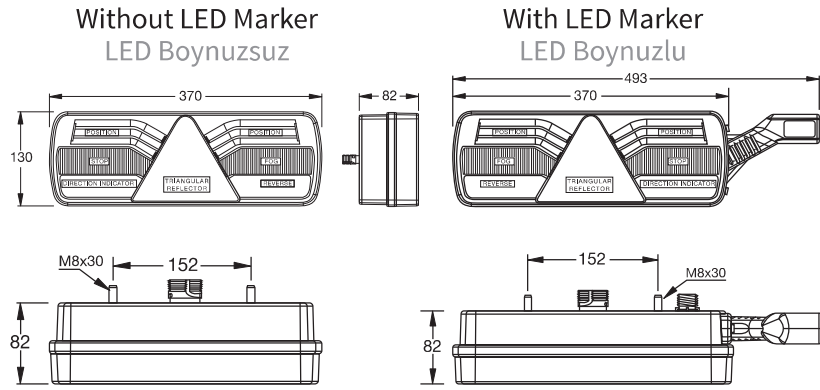
LED Trailer Rear Lamp

0010

LED Dorse Arka Stop Lambası

Functions Stop, Side Marker, Position, Reflector, Rear Fog, Indicator, Front Position, Reverse

Fonksiyonlar Stop, Yan Marker, Pozisyon, Reflektör, Arka Sis, Sinyal, Ön Pozisyon, Geri Vites



A Light Control Gear kit is integrated to product against to Indicator Failures. This Light Control Gear (LCG) enables truck&trailers with a non LED conform electrical system to operate LED lamps by adjust the electrical properties.

Order Number | Sipariş Kodu



0010LL

0010LR

0010LQ1L

0010LQ1R



15 pcs Adet
40,5x58x42,5 cm
~21,2 kg



15 pcs Adet
40,5x58x52 cm
~24,2 kg

Fastening Bolts | Bağlantı Civataları

